

SV Series

SINE-WAVE VIBRO VISCOMETERS

Simple Operation and Short
Measurement Time

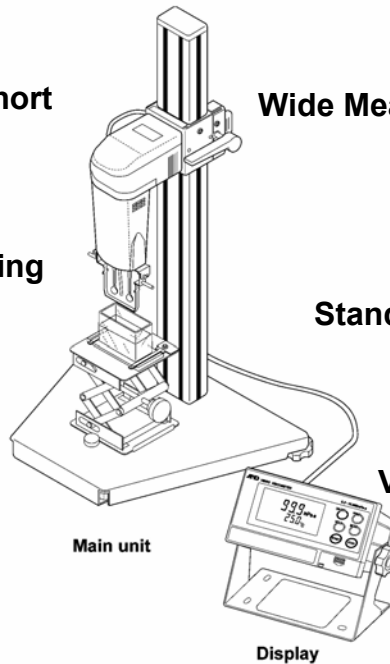
Wide Measurement Range

Easy Cleaning

Standard RS-232C Interface

Easy Calibration

Vacuum Fluorescent Display



FEATURES

- **High Measurement Accuracy**
Tuning-fork Vibration Method ensures excellent repeatability of 1% of reading
- **Non-Newtonian Sample Viscosity Measurement**
Thin sensor plates allow little deformation of sample texture
- **Foam Sample Measurement**
Low drive frequency of 30Hz allows measurement of foam samples without breaking minute foams and with less influence scattering larger foams.
- **Flowing Sample Measurement**
Measures the viscosity of flowing samples, including liquid in turbulent flow, which enables field management with identical data used at the laboratories.
- **Viscosity Calibration**
1 or 2 point calibration is selectable in the calibration mode
- **Sol and Gel Measurement**
Sol and Gel sample fluid, like a starch, can be measured during the change of material characteristic
- **Small Sample Size**
Standard sample cup requires the sample fluid of just more than 35 ml, reducing waste
- **Data Collection and Graphing Software**
WinCT-Viscosity (RSVisco) Software imports the measured data of viscosity and temperature to a PC and graphically displays the changes in real-time analysis

Fax-on-Demand

(800) 726-7099 / (408) 263-2278, Press 2
Document # 81

www.andweighing.com



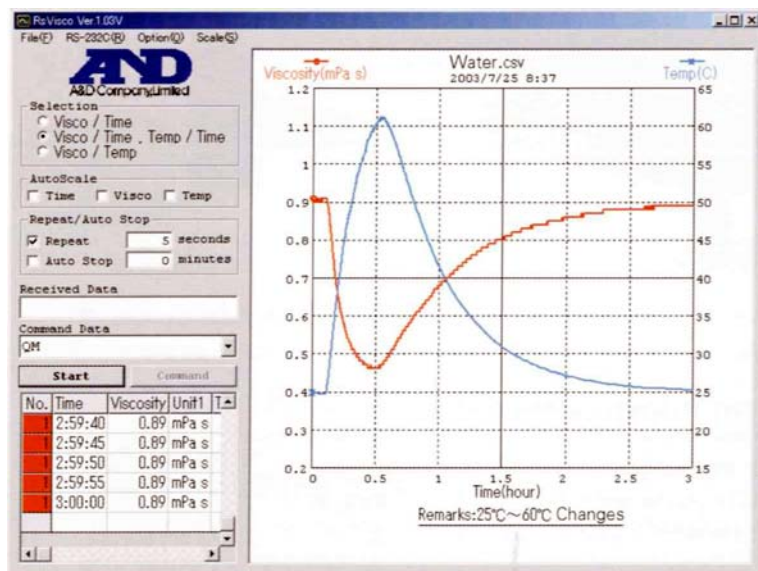
1555 McCandless Drive
Milpitas, CA 95035, USA
Toll Free: (800) 726-7099
Phone: (408) 263-5333
Fax: (408) 263-0119

Specifications:

	SV-10	SV-100
Measurement Method	Tuning Fork Vibration Method	
Vibration Frequency	30 Hz	
Viscosity Measuring Range and Unit	0.3 cP (mPa.s) ~ 10,000 cP (mPa.s) / mPa.s, Pa.s, cP, P	10 P ~ 1,000 P / Pa.s, P
Accuracy (Repeatability)	1 % of Reading (Full Range) (S.D., 20-30°C, No-condensation)	
Operating Temperature	10~40°C (50 ~ 104°F)	
Minimum Sample Amount	35ml	
Temperature Measurement	0~100°C / 0.1°C (32 ~ 212° F / 0.1°F)	
Display	Vacuum Fluorescent Display (VFD)	
Communication Interface	RS-232C	
Power Supply and Consumption	AC Adapter, 120VAC, 50/60Hz, Approx. 14VA	
Sensor Dimensions (WDH)	332 x 314 x 536 mm / 8.44 x 7.98 x 13.63" (Approx. 5.0 kg)	
Display Dimensions (WDH)	238 x 132 x 170 mm / 6.04 x 3.35 x 4.32" (Approx. 1.3 kg)	
Standard Accessories	Instruction Manual, AC Adapter, CD-ROM (WinCT-Viscosity), Resin sample containers, RS – 232C interface cable (25P-9P)	

Specifications are subject to change for improvement without notice.

WinCT - Viscosity



“Real-time Graphic Measurement Data Output”

“WinCT-Viscosity” software produces real time graphic data on a PC screen.

Fax-on-Demand

(800) 726-7099 / (408) 263-2278, Press 2
Document # 81

www.andweighing.com



1555 McCandless Drive
Milpitas, CA 95035, USA
Toll Free: (800) 726-7099
Phone: (408) 263-5333
Fax: (408) 263-0119